

RT-1202-C

PART NO.

THIS DRAWING CONTAINS INFORMATION PROPRIETARY TO RF INDUSTRIES.
 ANY UNAUTHORIZED USE OF THIS DRAWING IS EXPRESSLY PROHIBITED
 WITHOUT WRITTEN PERMISSION FROM RF INDUSTRIES.
 ANY VIOLATION IS PUNISHABLE UNDER U.S. COPYRIGHT LAWS.

ALL DIMENSIONS ARE REFERENCE ONLY

DESCRIPTION

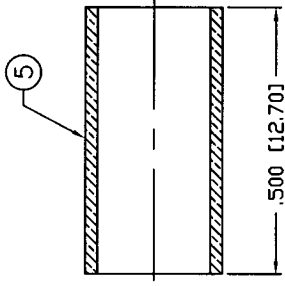
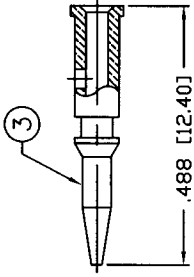
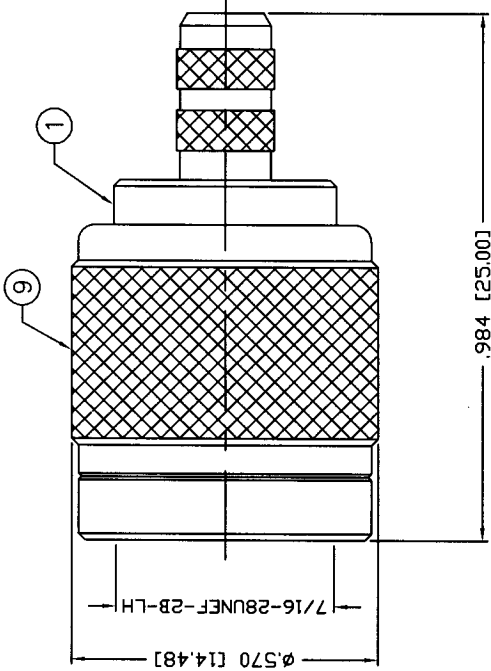
REV

DWN

DATE

APPROVED

ENGINEERING RELEASE	CZS	10/27/00	JDMc
UPDATE ELECTRICAL SPECS	CZS	2/26/03	JDMc

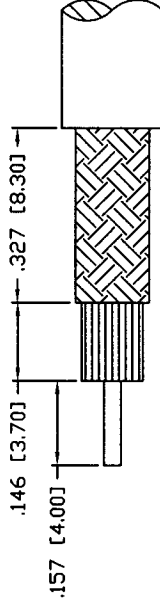


RECOMMENDED CRIMP DIE: .068"

RECOMMENDED CRIMP DIE: .213"

SPECIFICATIONS:

IMPEDANCE: 50 Ohms
 FREQUENCY RANGE: 0-7 GHz
 WORKING VOLTAGE: 500 V rms @ sea level
 INSULATION RESISTANCE: 5k M ohms min.
 TEMPERATURE RANGE: -65°C TO +165°C
 FOR RG-58, 58A, 58C, 141, 141A, BELDEN 8240, 9907
 8259, 8262, 9201, 9203, 9310, 9311 & COMM/SCOPE 0268



RECOMMENDED STRIPPING DIMENSIONS

1 BODY	1 BRASS	NICKEL, 100μ"			
2 INSULATOR	1 PTFE	---			
3 PIN	1 BRASS	GOLD, 3μ"			
4 RETAINING RING	1 BRASS	NICKEL, 100μ"			
5 FERRULE	1 COPPER	NICKEL, 100μ"			
6 WASHER	1 BRASS	NICKEL, 100μ"			
7 RING	1 DELRIN	---			
8 GASKET	1 RUBBER	---			
9 SHELL	1 BRASS	NICKEL, 100μ"			
10					
11					
12					
13					
14					
# DESCRIPTION	QTY	MATRL	FINISH	APPROVALS	DATE

008974

008974

- UNLESS OTHERWISE SPECIFIED:
- REMOVE ALL BURRS
 - BREAK ALL CORNERS & EDGES .005 R. MAX.
 - CHAMFER 1ST & LAST THREADS 45°
 - SURFACE ROUGHNESS 63 FINISH MIL-STD-10
 - DIAMETERS ON COMMON CENTERS TO BE CONCENTRIC WITHIN .002 T.I.R.
 - ALL DIMENSIONS ARE AFTER PLATING.

DIMENSIONS ARE IN INCHES AND [MILLIMETERS]
 UNLESS OTHERWISE NOTED
 TOLERANCES ARE:

DECIMALS	DIAMETER
.xxx±.003 [.08]	.xxx±.001 [.03]
.xx±.005 [.13]	.xx±.003 [.08]

7610 MIRAMAR RD
 SAN DIEGO, CA 92126
 (858) 549-6340
 (858) 549-6345 FAX

RF connectors
 DIVISION OF RF INDUSTRIES, LTD.

TNC CRIMP PLUG

LEFT HAND THREADS

SIZE	CABLE GROUP	DWG NO.	REV
A	C	RT-1202-C	A
SCALE:	NTS	CAD FILE	OUTLINE
			SHEET 1 OF 1